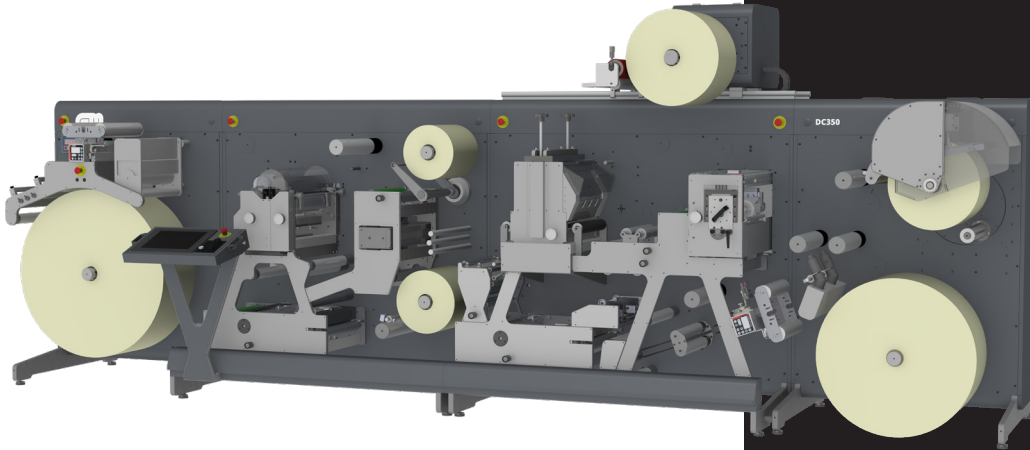


DC350/DC550

Fully Integrated Converting Line for Labels

- Maximum modularity
- Automated production
- Non-stop finishing with the new SmartTurret
- Open platform for Hotfoil and Screen
- Low energy consumption
- Low level of waste
- Online support and remote diagnostics
- Industry 4.0 ready



SPECIFICATIONS	METRIC	IMPERIAL
Web width	50 - 350 mm	2 - 14"
Substrate thickness	50 - 200 µm	2 - 8 pt.
Die Station		
Semi-rotary speed	80 m/min	262 ft/min
Full-rotary speed	130 m/min	426 ft/min
Die plate size	50,8 - 558,8 mm	2 - 22"
Unwinder		
Diameter max	1000 mm	39.4"
Core diameter	76,2 mm	3"
Rewinder		
Diameter max on dual shaft	700 mm	27.5"
Diameter max on Turret	450 mm	17.5"
Standard core diameter	76,2 mm	3"
Waste matrix rewinder diameter	up to 800 mm on request	up to 31.5" on request
GM SmartFlexo Station - flower style, semi-rotary		
Print cylinder size	228 - 711 mm	9 - 28"
Spot varnish with digital sensor register control and slow run included		
Slitting Station		
Knife type	Pneumatic crush, SmartCrush, shear or autoknife	
Minimum distance crush	12,7 mm	0.5"
Minimum distance shear	10	0.4"
Minimum distance autoknife	20	0.8"
Dimensions (WxDxH)	5,9 x 2,3 x 1,7 m	19,4 x 7,4 x 5,5 ft

Please contact us for DC550 specifications details

The NEW premium finishing line - the DC350. Get the best in fast and automated converting. Build with semi-rotation in varnish and die cutting as standard. Upgrade with value options like multilayer labels, Laser die cutter, Hot Foil and Screen Print unit.

Take your factory to the industry 4.0 level. This machine combines development work with proven product features. High speed, semi-rotating varnish, job automation and finally inline compatible with all major digital presses. The **NEW DC350** sets a new benchmark in the label world.

- Platform fully modular for added flexibility
- Jumbo roll unwinder with integrated roll lift
- GM SmartSemi-Rotary Flexo Station
- GM SmartLoad (NEW) option
- SmartGap electronic semi-rotary die cut option
- GM SmartStrip (NEW) option
- GM SmartLam Multilayer option
- GM SmartSlit - automatic slitting station option
- GM SmartCrush (NEW) option – an ultra-quick set knives system, allowing fast and precise setting of each crush knife – also while running.
- GM SmartTurret (NEW) option
- Hot Foil and Screen Print options
- STORCK rotary screen option for tactile labels
- Web-advance for fast roll change
- Runs inline with GM flat bed hotfoil
- Fully customizable and upgradeable
- Easy web access and maintenance

"Converting made easy"

Specifications and terms are subject to change without notice. Grafisk Maskinfabrik is a registered trademark. All other product and brand names are trademarks and/or registered trademarks of their respective companies. GM disclaims any and all rights in these marks. Copyright 2020, Grafisk Maskinfabrik A/S. For more information, please visit www.gm.dk

DC350/DC550

Features and options



GM SmartLam - Multi-layer labels are often used for pharmaceutical and medical label applications – especially when government regulations require product information to remain intact with the product.



GM SmartLoad - An automatic flexible die plate changing system to reduce changeover times and to ensure an accurate die mounting in seconds – every time.



GM SmartStrip - Ensures trouble-free operation even while converting delicate substrates and complex label shapes at high speed.



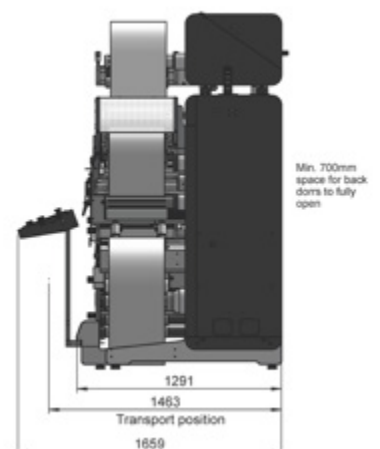
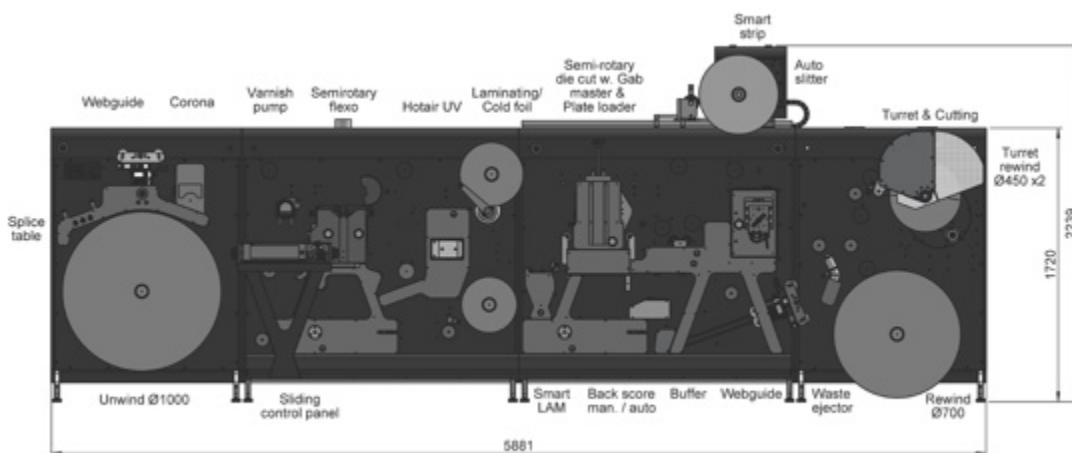
GM SmartTurret - NEW fully servo controlled automatic turret rewinder. Provides efficient production without stopping when changing rolls.



GM SmartCrush - An ultra-quick set knives system, allowing fast and precise setting of each crush knife – also while running.



GM SmartSlit - automatically positions up to 16 knives in 2 minutes, saving valuable time on short run jobs.



GRAFISK MASKINFABRIK A/S
Bregnerødvej 92, 3460 Birkerød
Phone: +45 4581 2300

Email: gm@gm.dk
Web: www.gm.dk

