



CONVERTING MADE EASY

PNT160

Semi-automatic Core Cutter



Grafisk Maskinfabrik A/S
Bregnerødvej 92, 3460 Birkerød, Denmark
Phone +45 4581 2300
Email gm@gm.dk
Web www.gm.dk

SPECIFICATIONS	METRIC	IMPERIAL
----------------	--------	----------

Cutting speed (Depending on core size and material)	Max. 40 - 70 cuts/min.	
Cardboard core diameters	12,7 - 152,4 mm	0.5 - 6"
One adapter set needed for each diameter		
Material thickness	Max. 15 mm	0.59"
Air supply	Min. 4 bar	
Electricity supply	200 - 240V+N+PE, 13A	
Dimensions (WxDxH)	2,5 x 0,5 x 1,6 m	

The **PNT160** core cutter provides high precision feeding and cutting of cardboard and PVC plastic cores of optional length and sizes at high speeds. Long experience in the manufacturing of core cutters has resulted in the development of a unique product giving high priority to service friendliness and production speed. The switchover from job to job is easily done within a few minutes. The core cutter is operated by a user-friendly touch display with graphic symbols. The **PNT160** automatically adjusts all machine operations to the selected core size and wall thickness.

Available options

- ✓ Available as a special version for cutting cardboard cores with interior diameters from 12,7 to 25,4 mm.
- ✓ Drive rollers of steel instead of rubber (longer life, can scratch core)
- ✓ Dust exhaust system.

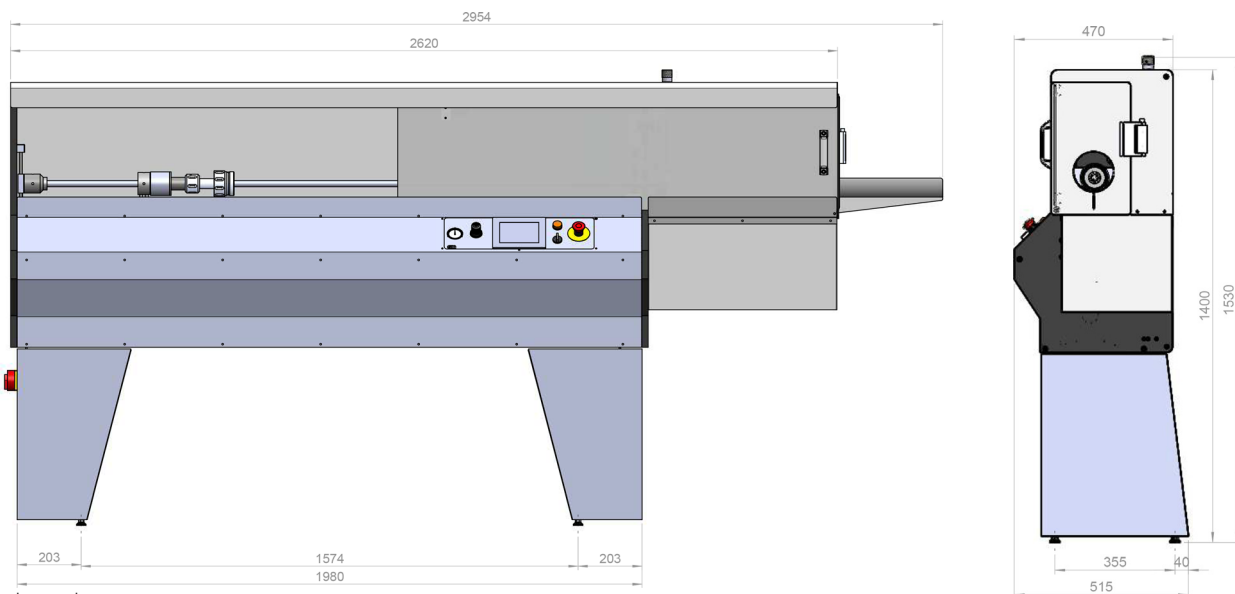
"Converting made easy"
Specifications and terms are subject to change without notice. Grafisk Maskinfabrik is a registered trademark. All other product and brannames are trademarks and/or registered trademarks of their respective companies. GM disclaims any and all rights in these marks. Copyright 2017, Grafisk Maskinfabrik A/S For more information, please visit www.gm.dk

PNT-Series Core Cutters

The **PNT160** and **PNT200*** are automatic core cutters providing high precision feeding and cutting of cardboard cores at high speeds. They are available in two lengths for cardboard cores of a maximum length 1600 mm (~63.0") and 2000 mm (~78.7") respectively. Long experience in the manufacturing of core cutters has resulted in the development of a unique product giving high priority to service friendliness and production speed. The PNT-line allows for high precision cutting of cardboard cores of optional lengths and sizes. The switch-over from job to job is easily done within a few minutes.

Features:

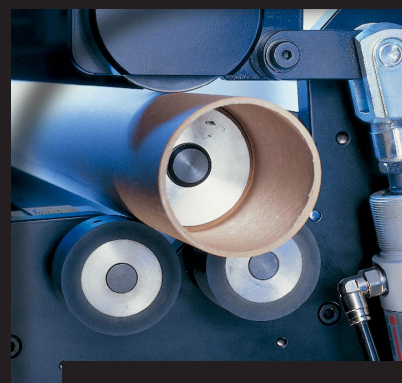
- User-friendly touch display with production and job setting information.
- Automatic adjustment of machine operation to the selected core size and wall thickness.
- Automatic or manual adjustment of the speed according to the core diameter.
- Integrated "support menu" and possibility of change of language.
- Sensor making the initial cut unnecessary.
- Software optimizing the cutting to reduce the amount of waste.
- Error messages appear in clear text which allows for prompt fault-finding and correction.
- Service friendly design requiring minimum maintenance.
- Cutting of cores up to 152,4 mm (6") in diameter and with a wall thickness of up to 15 mm (subject to material and amount of glue in core).
- Nylon or steel anvil.
- Operation in mm or inches.
- Available in many local languages.



* Made to order.



Easy to use touch-screen.



Rotative cutter.